

PRODUCT NAME:  
**GREASE INTERCEPTOR**

DESCRIPTION:  
750 THRU 1500 GALLONS  
H-20 TRAFFIC RATED

DESIGN SPECIFICATIONS

DESIGN LOAD: H-20 TRAFFIC RATED

WITH DRY SOIL CONDITIONS (WATER LEVEL BELOW TANK), SUITABLE SUB-BASE BEDDED WITH GRANULAR MATERIAL SHALL BE PREPARED TO HANDLE ANTICIPATED LOADS. FOR COMPLETE DESIGN AND PRODUCT INFORMATION, PLEASE CONTACT PRO-CAST PRODUCTS.

PRO-CAST PRODUCTS RESERVES THE RIGHT TO MAKE CHANGES TO PRODUCT DESIGN AND/OR DIMENSIONS WITHOUT NOTICE. PLEASE CONTACT PRO-CAST PRODUCTS WHENEVER NECESSARY FOR CONFIRMATION OR ADVICE ON PRODUCT DESIGN.

NOTES:

- (NOT USED)
- REFER TO SPECIFICATION SHEET NOS. S-251 & S-252
- REFER TO SPECIFICATION SHEET NO. S-201
- REFER TO SPECIFICATION SHEET NO. S-250

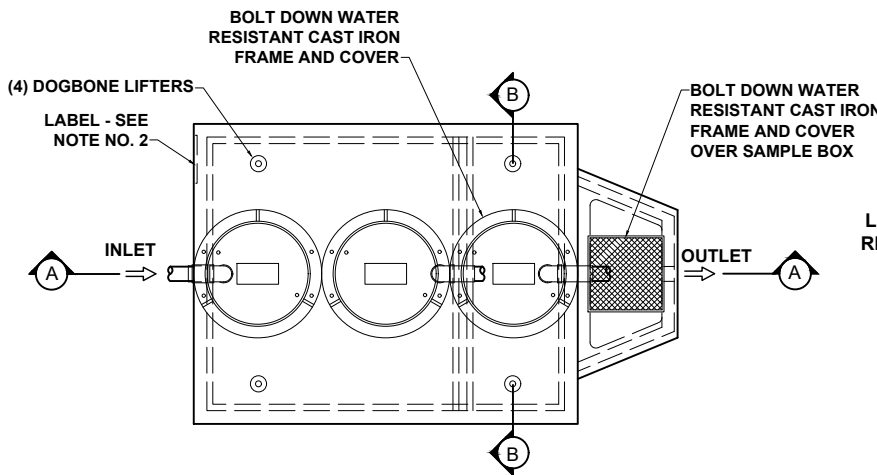
SCALE: DO NOT SCALE

DRAWN BY: TPC 12.20.2024

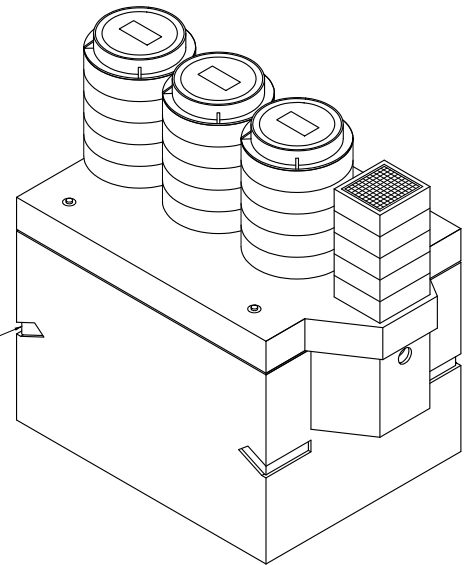
REVISED BY:

CHECKED BY:

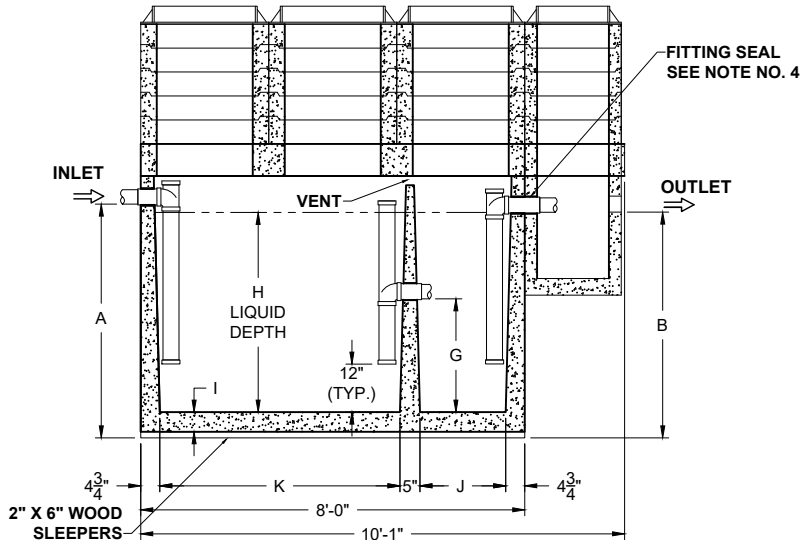
DRAWING NO.  
**G-001**



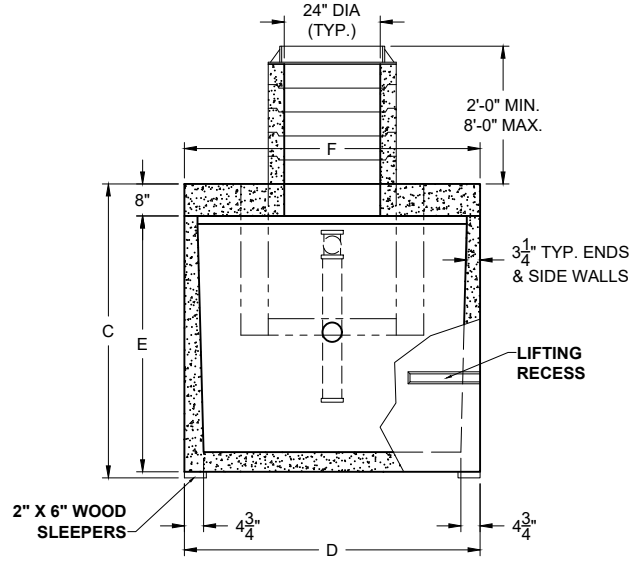
PLAN VIEW



ISOMETRIC VIEW



SECTION THRU "A-A"



SECTION THRU "B-B"

ALL DIMENSIONS ARE IN INCHES & WEIGHTS IN LBS - (RISER WT. NOT INCLUDED)													EXCAVATION SPECIFICATIONS			
MODEL	A	B	C	D	E	F	G	H	I	J	K	WEIGHT	LENGTH	WIDTH	BELOW INLET	TANK HEIGHT
PC G-1-750-HD	40	38	55	74	45	74	19 3/4	31 1/2	4 1/2	21 1/2	60	13,155	13'-0"	9'-2"	3'-4"	4'-7"
PC G-1-1000-HD	50	48	65	74	55	74	24 3/4	41 1/2	4 1/2	21 1/2	60	14,510	13'-0"	9'-2"	4'-2"	5'-5"
PC G-1-1250-HD	59	57	74	74	64	74	29 1/4	50 1/2	4 1/2	21 1/2	60	15,725	13'-0"	9'-2"	4'-11"	6'-2"
PC G-1-1500-HD	62 1/2	60 1/2	77 1/2	85	67 1/2	85	30 3/4	53 1/2	5	27 1/2	54	18,345	13'-0"	10'-1"	5'-2 1/2"	6'-5 1/2"